

FAIRCHILD MODEL 30/30BP MIDGET PRECISION BACK PRESSURE REGULATOR Installation, Operation and Maintenance Instructions

Figure 1.
Model 30 Outline Dimension

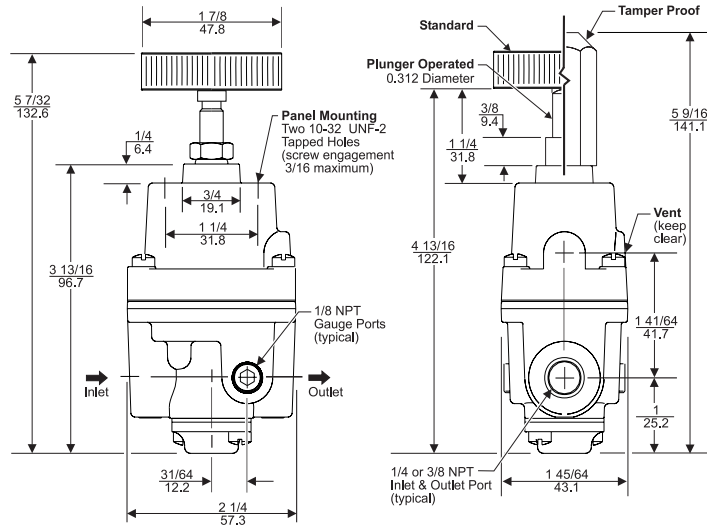
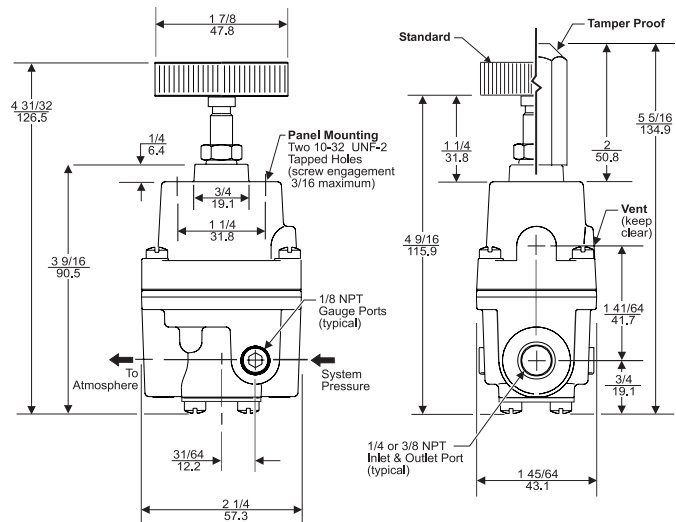


Figure 2.
Model 30 BP Outline Dimension



INSTALLATION

Use the two 10-32 UNF-2 tapped holes in the bonnet to panel mount the Model 30/30BP Regulator. For more information, see Figure 1 and 2.

Clean all pipelines to remove dirt and scale before installation.

Apply a minimum amount of pipe compound to the male threads of the fitting only. **Do Not use teflon tape as a sealant.** Start with the third thread back and work away from the end of the fitting to avoid the possibility of contaminating the regulator. Install the regulator in the air line.

The inlet and outlet ports are labeled on the bottom of the regulator with the arrows pointing in the direction of the flow. Tighten connections securely. Avoid undersized fittings that limit the flow through the regulator. For more information, see Figure 1 and 2.

NOTE: Oil free air must be applied to the regulator. Use a filter to remove dirt and entrained liquid in the air line ahead of the regulator. If an air line lubricator is used, it **MUST** be located downstream of the regulator, to avoid interference with regulator performance.

MAINTENANCE

To clean the Model 30/30BP, use the following procedure:

1. Shut off system pressure to the regulator. It is not necessary to remove the regulator from the air line.
2. Remove the two Screws, Retainer Cap and Retainer Plate from the bottom of unit.
3. Remove the Inner Valve Assembly. For more information, see Figure 3.
4. Wash the Inner Valve Assembly with a solvent. Exercise care to prevent damage to diaphragms and valve facings. **Avoid solvents such as acetone, carbon tetrachloride and trichlorethylene.**
5. Replace the assembly carefully. For more information, see Figure 3.

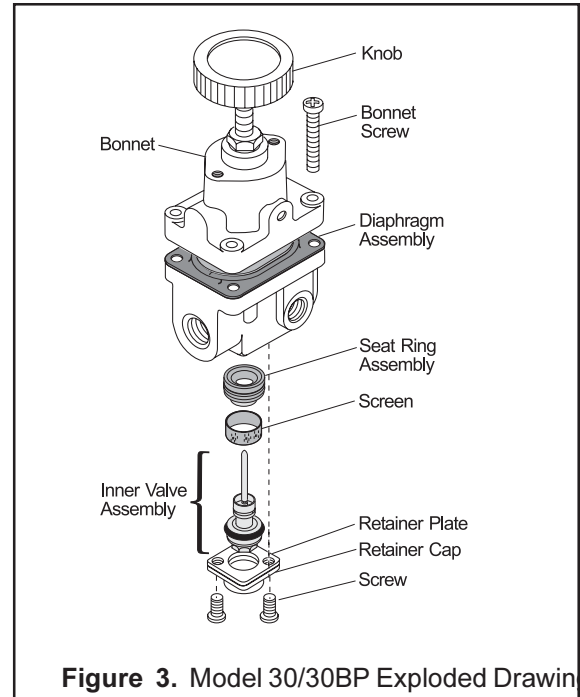


Figure 3. Model 30/30BP Exploded Drawing

Troubleshooting

Problem	Source	Solution
Leakage	Bonnet Screws	Tighten the Bonnet Screws.
High Bleed	<ul style="list-style-type: none"> • Seat Ring • Inner Valve 	<ul style="list-style-type: none"> • If contaminated, clean the source and Body.
	<ul style="list-style-type: none"> • Diaphragm Assembly 	<ul style="list-style-type: none"> • If damaged, install the service kit.

Problem	Source	Solution
Leakage	Body Screws	Tighten the Body Screws.
High Bleed	<ul style="list-style-type: none"> • Pintel • Relief Seat 	<ul style="list-style-type: none"> • If contaminated, clean the source and Body.
		<ul style="list-style-type: none"> • If damaged, install the service kit.

NOTE:

If the standard maintenance procedure does not correct the problem, install the appropriate service kit.

Standard

- 16116-1 Nitrile
- 16116-5 Silicone
- 16116-9 Viton
- 16116-13 Nitrile
- 16116-17 Silicone
- 16116-21 Viton

Non-relieving

- 16116-2 Nitrile
- 16116-6 Silicone
- 16116-10 Viton
- 16116-14 Nitrile
- 16116-18 Silicone
- 16116-22 Viton

Low bleed

- 16116-3 Nitrile
- 16116-7 Silicone
- 16116-11 Viton
- 16116-15 Nitrile
- 16116-19 Silicone
- 16116-23 Viton

Low flow

- 16116-4 Nitrile
- 16116-8 Silicone
- 16116-12 Viton
- 16116-16 Nitrile
- 16116-20 Silicone
- 16116-24 Viton

Pressure ranges

- 2 psig
- 2 psig
- 2 psig
- 10, 30, 60, & 100 psig
- 10, 30, 60, & 100 psig
- 10, 30, 60, & 100 psig

LEGAL NOTICE:

The information set forth in the foregoing Installation, Operation and Maintenance Instructions shall not be modified or amended in any respect without prior written consent of Fairchild Industrial Products Company. In addition, the information set forth herein shall be furnished with each product sold incorporating Fairchild's unit as a component thereof.



ISO 9001:2000
Certified

