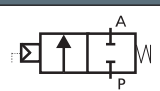
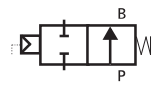
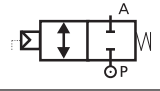
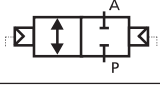


## 2/2 Way Piston Actuated Valve G 1/2" to 3/4", Compact Version – Stainless Steel

Specifications	
Type: PG NC flow over seat 1 → 2	
Type RPG: NO flow under seat 2 → 1	
Type: BPG NC bi-directional flow over/under seat 1 → 2 / 2 → 1	
Type: DPG DA flow over/under seat 1 ↔ 2	
Media	Water, oil, air, aggressive media, steam <sup>1</sup>
Media Temperature	-10 °C to +180 °C
Ambient Temperature	-10 °C to +60 °C
Pilot Media <sup>2</sup>	Instrument air, inert gases
Body Material	Cast AISI 316L (CF3M), see page 39
Bonnet Material	Cast AISI 316L (CF3M), see page 39
Actuator Body Material	Polyamide PA6 (reinforced fibreglass 30%)
Seal Material	PTFE
Position Indicator	As standard

### Features and Benefits

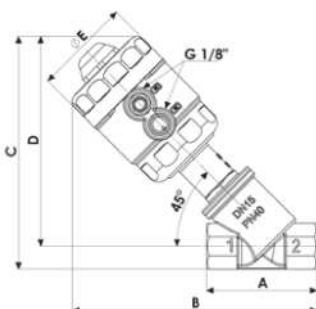
- Waterhammer-free design for BPG - DPG (with flow direction 2 → 1)
- Actuator housing rotation 360°
- Design suitable for vacuum applications up to 10<sup>-2</sup> mbar



Options Available
NPT connection (e.g. code PN205CTW00)

Accessories
Position module, travel switch kit, pilot solenoid valves see pages 30/31/32/33

Dimensions & Weights		DN15	DN20
Actuator	[mm]	Ø 45	
A	[mm]	65	75
B	[mm]	144	149
C	[mm]	136	142
D	[mm]	123	126
E	[mm]	57	57
Weight	[kg]	0.8	0.9



The products listed below comply with the requirements of the European Pressure Equipment Directive 2014/68/UE and carry the CE mark when required. The products fall within the following Pressure Equipment Directive categories:

Bodies	Group 1 gases	Group 1 liquids and Group 2 other fluids
DN15 to DN20 (PN40)	SEP	SEP

### ⚠ WARNING!

According to the European Pressure Equipment Directive 2014/68/UE, liquids whose saturated vapour pressure at the maximum allowable temperature is more than 0,5 barg shall be considered as gases.

Valve	Body Connection	DN	Flow Rate Kvs	Working Pressure <sup>1</sup>		Flow Direction	Pilot Pressure <sup>3</sup>		Actuator Ø	Function
				Min.	Max.		Min.	Max.		
Code	[ISO 228G]	[mm]	[l/min]	[barg]	[barg]	—	[barg]	[barg]	[mm]	—
PG205CTW00	1/2"	15	75	0	16	1 → 2	3,8	10	45	NC
PG206CTX00	3/4"	20	133	0	16	1 → 2	5,8	10		
RPG205CTW00	1/2"	15	75	0	16	2 → 1	4	10	45	NO
RPG206CTX00	3/4"	20	133	0	16	2 → 1	6,2	10		
BPG205CTW00	1/2"	15	75	0	16 / 16	1 → 2 / 2 → 1	6,2 / 5	10	45	NC bidirectional
BPG206CTX00	3/4"	20	133	0	16 / 7	1 → 2 / 2 → 1	8,7 / 5	10		
DPG205CTW00	1/2"	15	75	0	16 / 16	1 ↔ 2	3	10	45	DA
DPG206CTX00	3/4"	20	133	0	16 / 16	1 ↔ 2	5	10		

### Notes

1. Steam max. working pressure 10 bar (9 barg)
2. Please contact M&M sales Department for other pilot media
3. Minimum pilot pressure at the max. working pressure: for lower working pressures please refer to the comparative charts

## 2/2 Way Piston Actuated Valve G 1/2" to 2", Regular Version - Stainless Steel

Specifications	
Type: PG NC flow over seat 1 → 2	
Type: RPG NO flow under seat 2 → 1	
Type: BPG NC bi-directional flow over/under seat 1 → 2 / 2 → 1	
Type: DPG DA flow over/under seat 1 ↔ 2	
Media	Water, oil, air, aggressive media, steam <sup>1</sup>
Media Temperature	-10 °C to +180 °C
Ambient Temperature	-10 °C to +60 °C
Pilot Media <sup>2</sup>	Instrument air, inert gases
Body Material	Cast AISI 316L (CF3M), see page 39
Bonnet Material	Cast AISI 316L (CF3M), see page 39
Actuator Body Material	Polyamide PA6 (reinforced fiberglass 30%)
Seal Material	PTFE
Position Indicator	As standard

### Features and Benefits

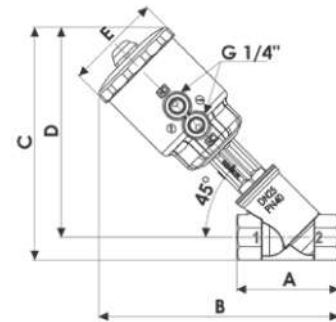
- Waterhammer-free design for BPG - DPG (with flow direction 2→1)
- Actuator housing rotation 360°
- Design suitable for vacuum applications up to 10<sup>-2</sup> mbar



Options Available	
Stroke regulator assembled ex-factory, see page 29 (e.g. code RPG210STJR0)	
Travel switch assembled ex-factory, see page 29 (e.g. code PG208STZJ0)	
NPT connection (e.g. code BPN207LTY00)	
High temperature version, see pages 20/21 (e.g. code PG205STW0H)	

Accessories
Position module, travel switch kit, pilot solenoid valves see pages 30/31/32/33

Dimensions & Weights		DN15	DN20	DN25	DN32	DN40	DN50	DN25	DN32	DN40	DN50	
Actuator	[mm]	Ø 63						Ø 90				
A	[mm]	65	75	90	110	120	150	90	110	120	150	
B	[mm]	192	198	212	225	230	248	223	234	239	257	
C	[mm]	184	192	205	217	225	241	216	227	235	250	
D	[mm]	171	176	185	193	198	207	196	202	207	216	
E	[mm]	85	85	85	85	85	85	112	112	112	112	
Weight	[kg]	1,2	1,3	1,5	1,9	2,1	2,9	2,0	2,4	2,6	3,3	



The products listed below comply with the requirements of the European Pressure Equipment Directive 2014/68/UE and carry the CE mark when required. The products fall within the following Pressure Equipment Directive categories:

Valve Type	Bodies	Group 1 gases	Group 1 liquids and Group 2 other fluids
PG - RPG - BPG - DPG	DN15 to DN25 (PN40)	SEP	SEP
	DN32 to DN40 (PN25)	Category I	SEP
	DN50 (PN16)	Category I	SEP

### ⚠ WARNING!

According to the European Pressure Equipment Directive 2014/68/UE, liquids whose saturated vapour pressure at the maximum allowable temperature is more than 0,5 barg shall be considered as gases.

## 2/2 Way Piston Actuated Valve G 1/2" to 2", Regular Version – Stainless Steel

Valve	Body Connection	DN	Flow Rate Kvs	Working Pressure <sup>1</sup>		Flow Direction	Pilot Pressure <sup>3</sup>		Actuator Ø	Function	
Code	[ISO 228G]	[mm]	[l/min]	[barg]	[barg]	—	[barg]	[barg]	[mm]	—	
PG205STW00	1/2"	15	87	0	20	1 → 2	3.7	10	63	NC	
PG206STX00	3/4"	20	164	0	20	1 → 2	4.4	10			
PG207STY00	1"	25	260	0	20	1 → 2	5	10			
PG208STZ00	1 1/4"	32	410	0	16	1 → 2	5.9	10			
PG209STK00	1 1/2"	40	700	0	16	1 → 2	9	10			
PG210STJ00	2"	50	950	0	11	1 → 2	8	10			
PG207LTY00	1"	25	260	0	20	1 → 2	2	8	90		
PG208LTZ00	1 1/4"	32	410	0	16	1 → 2	3.5	8			
PG209LTK00	1 1/2"	40	700	0	16	1 → 2	4	8			
PG210LTJ00	2"	50	950	0	15	1 → 2	6.5	8			
RPG205STW00	1/2"	15	87	0	16	2 → 1	2.5	10	63		NO
RPG206STX00	3/4"	20	164	0	16	2 → 1	4.3	10			
RPG207STY00	1"	25	260	0	16	2 → 1	5.5	10			
RPG208STZ00	1 1/4"	32	410	0	16	2 → 1	6.5	10			
RPG209STK00	1 1/2"	40	700	0	16	2 → 1	9	10			
RPG210STJ00	2"	50	950	0	12	2 → 1	9.4	10			
RPG207LTY00	1"	25	260	0	16	2 → 1	2	8	90		
RPG208LTZ00	1 1/4"	32	410	0	16	2 → 1	4	8			
RPG209LTK00	1 1/2"	40	700	0	16	2 → 1	5	8			
RPG210LTJ00	2"	50	950	0	16	2 → 1	7	8			
BPG205STW00	1/2"	15	87	0	16	1 → 2 / 2 → 1	5.5 / 3.8	10	63	NC bidirectional	
BPG206STX00	3/4"	20	164	0	16	1 → 2 / 2 → 1	6 / 3.8	10			
BPG207STY00	1"	25	260	0	16 / 11	1 → 2 / 2 → 1	6.5 / 3.8	10			
BPG208STZ00	1 1/4"	32	410	0	16 / 6	1 → 2 / 2 → 1	6.8 / 3.8	10			
BPG209STK00	1 1/2"	40	700	0	12 / 4	1 → 2 / 2 → 1	9 / 3.8	10			
BPG210STJ00	2"	50	950	0	8 / 2.5	1 → 2 / 2 → 1	9 / 3.8	10			
BPG207LTY00	1"	25	260	0	16 / 14	1 → 2 / 2 → 1	4 / 3.3	8	90		
BPG208LTZ00	1 1/4"	32	410	0	16 / 12	1 → 2 / 2 → 1	5 / 3.3	8			
BPG209LTK00	1 1/2"	40	700	0	16 / 8	1 → 2 / 2 → 1	6 / 3.3	8			
BPG210LTJ00	2"	50	950	0	14 / 6	1 → 2 / 2 → 1	8 / 3.3	8			
DPG205STW00	1/2"	15	87	0	16	1 ↔ 2	1.8	2	63		DA
DPG206STX00	3/4"	20	164	0	16	1 ↔ 2	2	3.8			
DPG207STY00	1"	25	260	0	16	1 ↔ 2	3	5			
DPG208STZ00	1 1/4"	32	410	0	16	1 ↔ 2	4.5	6			
DPG209STK00	1 1/2"	40	700	0	16	1 ↔ 2	6.5	7			
DPG210STJ00	2"	50	950	0	12	1 ↔ 2	9	10			

### Notes

1. Steam max. working pressure 10 bar (9 barg)
2. Please contact M&M sales Department for other pilot media
3. Minimum pilot pressure at the max. working pressure: for lower working pressures please refer to the comparative charts