

2/2 Way Piston Actuated Valve G 3/4" to 2 3/8", Threaded Spigots – Stainless Steel

Specifications	
Type: PR NC flow over seat 1 → 2	
Type: RPR NO flow under seat 2 → 1	
Type: BPR NC bi-directional flow over/under seat 1 → 2 / 2 → 1	
Media	Water, oil, air, aggressive media, steam ¹
Media Temperature	-10 °C to +180 °C
Ambient Temperature	-10 °C to +60 °C
Pilot Media ²	Instrument air, inert gases
Body Material	Cast AISI 316L (CF3M), see page 39
Bonnet Material	Cast AISI 316L (CF3M), see page 39
Actuator Body Material	Polyamide PA6 (reinforced fiberglass 30%)
Seal Material	PTFE
Position Indicator	As standard

Features and Benefits

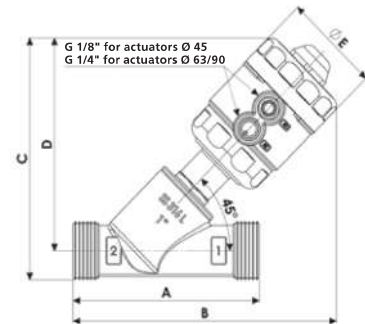
- Waterhammer-free design for BPR (with flow direction 2→1)
- Actuator housing rotation 360°
- Design suitable for vacuum applications up to 10⁻² mbar



Options Available
Stroke regulator assembled ex-factory, see page 29 (e.g. code BPR211STKR0)
Travel switch assembled ex-factory, see page 29 (e.g. code BPR206STW10)
High temperature version, see pages 20/21 (e.g. code RPR208STY0H)

Accessories
Position module, travel switch kit, pilot solenoid valves see pages 30/31/32/33

Dimensions & Weights	Actuator [mm]	DN15	DN20	DN15	DN20	DN25	DN32	DN40	DN50	DN25	DN32	DN40	DN50
		Ø 45		Ø 63						Ø 90			
A	[mm]	90	110	90	110	118	130	140	175	118	130	140	175
B	[mm]	148	156	196	206	217	226	224	246	228	237	235	257
C	[mm]	134	137	181	187	204	212	216	229	215	222	227	240
D	[mm]	121	121	168	171	183	188	189	196	194	199	200	207
E	[mm]	57	57	85	85	85	85	85	85	112	112	112	112
Weight	[kg]	0.9	1.0	1.3	1.4	1.65	2.0	2.2	3.1	2.15	2.5	2.7	3.5



The products listed below comply with the requirements of the European Pressure Equipment Directive 2014/68/UE and carry the CE mark when required. The products fall within the following Pressure Equipment Directive categories:

Valve Type	Bodies	Group 1 gases	Group 1 liquids and Group 2 other fluids
PR - RPR - BPR	DN15 to DN25 (PN40)	SEP	SEP
	DN32 to DN40 (PN25)	Category I	SEP
	DN50 (PN16)	Category I	SEP

⚠ WARNING!

According to the European Pressure Equipment Directive 2014/68/UE, liquids whose saturated vapour pressure at the maximum allowable temperature is more than 0,5 barg shall be considered as gases.

2/2 Way Piston Actuated Valve G 3/4" to 2 3/8", Threaded Spigots – Stainless Steel

Valve	Body Connection	DN	Flow Rate Kvs	Working Pressure ¹		Flow Direction	Pilot Pressure ³		Actuator Ø	Function
				Min.	Max.		Min.	Max.		
Code	[ISO 228G]	[mm]	[l/min]	[barg]	[barg]	—	[barg]	[barg]	[mm]	—
PR206CTW00	3/4"	15	75	0	16	1 → 2	3.8	10	45	NC
PR207CTX00	1"	20	133	0	16	1 → 2	5.8	10		
PR206STW00	3/4"	15	87	0	20	1 → 2	3.7	10	63	
PR207STX00	1"	20	164	0	20	1 → 2	4.4	10		
PR208STY00	1 1/4"	25	260	0	20	1 → 2	5	10		
PR209STZ00	1 1/2"	32	410	0	16	1 → 2	5.9	10		
PR211STK00	1 3/4"	40	700	0	16	1 → 2	9	10		
PR212STJ00	2 3/8" ⁴	50	950	0	11	1 → 2	8	10		
PR208LTY00	1 1/4"	25	260	0	20	1 → 2	2	8	90	
PR209LTZ00	1 1/2"	32	410	0	16	1 → 2	3.5	8		
PR211LTK00	1 3/4"	40	700	0	16	1 → 2	4	8		
PR212LTJ00	2 3/8" ⁴	50	950	0	15	1 → 2	6.5	8		
RPR206CTW00	3/4"	15	75	0	16	2 → 1	4	10	45	NO
RPR207CTX00	1"	20	133	0	16	2 → 1	6.2	10		
RPR206STW00	3/4"	15	87	0	16	2 → 1	2.5	10	63	
RPR207STX00	1"	20	164	0	16	2 → 1	4.3	10		
RPR208STY00	1 1/4"	25	260	0	16	2 → 1	5.5	10		
RPR209STZ00	1 1/2"	32	410	0	16	2 → 1	6.5	10		
RPR211STK00	1 3/4"	40	700	0	16	2 → 1	9	10		
RPR212STJ00	2 3/8" ⁴	50	950	0	12	2 → 1	9.4	10		
RPR208LTY00	1 1/4"	25	260	0	16	2 → 1	2	8	90	
RPR209LTZ00	1 1/2"	32	410	0	16	2 → 1	4	8		
RPR211LTK00	1 3/4"	40	700	0	16	2 → 1	5	8		
RPR212LTJ00	2 3/8" ⁴	50	950	0	16	2 → 1	7	8		
BPR206CTW00	3/4"	15	75	0	16 / 16	1 → 2 / 2 → 1	6.2 / 5	10	45	NC bidirectional
BPR207CTX00	1"	20	133	0	16 / 7	1 → 2 / 2 → 1	8.7 / 5	10		
BPR206STW00	3/4"	15	87	0	16	1 → 2 / 2 → 1	5.5 / 3.8	10	63	
BPR207STX00	1"	20	164	0	16	1 → 2 / 2 → 1	6 / 3.8	10		
BPR208STY00	1 1/4"	25	260	0	16 / 11	1 → 2 / 2 → 1	6.5 / 3.8	10		
BPR209STZ00	1 1/2"	32	410	0	16 / 6	1 → 2 / 2 → 1	6.8 / 3.8	10		
BPR211STK00	1 3/4"	40	700	0	12 / 4	1 → 2 / 2 → 1	9 / 3.8	10		
BPR212STJ00	2 3/8" ⁴	50	950	0	8 / 2.5	1 → 2 / 2 → 1	9 / 3.8	10		
BPR208LTY00	1 1/4"	25	260	0	16 / 14	1 → 2 / 2 → 1	4 / 3.3	8	90	
BPR209LTZ00	1 1/2"	32	410	0	16 / 12	1 → 2 / 2 → 1	5 / 3.3	8		
BPR211LTK00	1 3/4"	40	700	0	16 / 8	1 → 2 / 2 → 1	6 / 3.3	8		
BPR212LTJ00	2 3/8" ⁴	50	950	0	14 / 6	1 → 2 / 2 → 1	8 / 3.3	8		

Notes

1. Steam max. working pressure 10 bar (9 barg)
2. Please contact M&M sales Department for other pilot media
3. Minimum pilot pressure at the max. working pressure: for lower working pressures please refer to the comparative charts (for different part numbers: e.g. BPR207STX00 please refer to the equivalent part number BPG207STY00 for threaded connection)
4. According to ISO 338