

2/2 Way Piston Actuated Valve Flanged – Stainless Steel

Specifications	
Type: PD/PA NC flow over seat 1 → 2	
Type: RPD/RPA NO flow under seat 2 → 1	
Type: BPD/BPA NC bi-directional flow over/under seat 1 → 2 / 2 → 1	
Media	Water, oil, air, aggressive media, steam ¹
Media Temperature	-10 °C to +180 °C
Ambient Temperature	-10 °C to +60 °C
Pilot Media ²	Instrument air, inert gases
Body Material	Cast AISI 316L (CF3M), see page 39
Flange Material	cast AISI 316L
Connection	BS 4504 (EN1092, shape B) or ANSI B16.5 class 150
Bonnet Material	Cast AISI 316L (CF3M), see page 39
Actuator Body Material	Polyamide PA6 (reinforced fiberglass 30%)
Seal Material	PTFE
Position Indicator	As standard

Features and Benefits

- Waterhammer-free design for BPD - BPA (with flow direction 2 → 1)
- Actuator housing rotation 360°
- Design for vacuum applications up to 10⁻² mbar

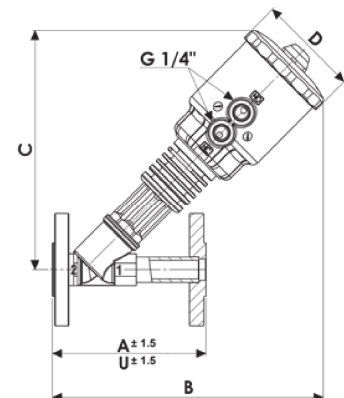


Options Available
Stroke regulator assembled ex-factory, see page 29 (e.g. code PD210STJR0)
Travel switch assembled ex-factory, see page 29 (e.g. code RPA208LTZ0)
High temperature version, see pages 20/21 (e.g. code PD205STW0H)

Accessories
Position module, travel switch kit, pilot solenoid valves see pages 30/31/32/331

Dimensions & Weights		DN15	DN20	DN25	DN32	DN40	DN50	DN25	DN32	DN40	DN50
Actuator	[mm]	Ø 63						Ø 90			
A (ANSI)	[mm]	139.7	152.4	165.1	184.2	203.2	228.6	165.1	184.2	203.2	228.6
U (BS/UNI/EN)	[mm]	130	150	160	180	200	230	160	180	200	230
B	[mm]	218	236	239	252	257	275	250	263	268	286
C	[mm]	194	210	208	216	220	230	219	227	232	240
D	[mm]	85	85	85	85	85	85	112	112	112	112
Weight	[kg]	2.6	3.0	3.8	5.6	6.5	8.7	4.4	6.0	6.9	9.1

A = face to face to ANSI B 16.10
U = face to face to EN 558-1



The products listed below comply with the requirements of the European Pressure Equipment Directive 2014/68/UE and carry the CE mark when required. The products fall within the following Pressure Equipment Directive categories:

Valve Type	Bodies	Group 1 gases	Group 1 liquids and Group 2 other fluids
PD - RPD - BPD PA - RPA - BPA	DN15 to DN25 (PN40)	SEP	SEP
	DN32 to DN40 (PN25)	Category I	SEP
	DN50 (PN16)	Category I	SEP

⚠ WARNING!

According to the European Pressure Equipment Directive 2014/68/UE, liquids whose saturated vapour pressure at the maximum allowable temperature is more than 0,5 barg shall be considered as gases.

Notes

1. Steam max. working pressure 10 bar (9 barg)
2. Please contact M&M sales Department for other pilot media
3. Minimum pilot pressure at the max. working pressure: for lower working pressures please refer to the comparative charts (for different part numbers: e.g. PD205STW00 please refer to the equivalent part number PG205STW00 for threaded connection)

2/2 Way Piston Actuated Valve Flanged – Stainless Steel

Valve	Body Connection	DN	Flow Rate Kvs	Working Pressure ¹		Flow Direction	Pilot Pressure ³		Actuator Ø	Function
Code	—	[mm]	[l/min]	[barg]	[barg]	—	[barg]	[barg]	[mm]	—
PD205STW00	flanges to BS 4504 EN1092 shape B	15	87	0	20	1 → 2	3.7	10	63	NC
PD206STX00		20	164	0	20	1 → 2	4.4	10		
PD207STY00		25	260	0	20	1 → 2	5	10		
PD208STZ00		32	410	0	16	1 → 2	5.9	10		
PD209STK00		40	700	0	16	1 → 2	9	10		
PD210STJ00		50	950	0	11	1 → 2	8	10		
PD207LTY00		25	260	0	20	1 → 2	2	8	90	
PD208LTZ00		32	410	0	16	1 → 2	3.5	8		
PD209LTK00		40	700	0	16	1 → 2	4	8		
PD210LTJ00		50	950	0	15	1 → 2	6.5	8		
RPD205STW00	flanges to BS 4504 EN1092 shape B	15	87	0	16	2 → 1	2.5	10	63	NO
RPD206STX00		20	164	0	16	2 → 1	4.3	10		
RPD207STY00		25	260	0	16	2 → 1	5.5	10		
RPD208STZ00		32	410	0	16	2 → 1	6.5	10		
RPD209STK00		40	700	0	16	2 → 1	9	10		
RPD210STJ00		50	950	0	12	2 → 1	9.4	10		
RPD207LTY00		25	260	0	16	2 → 1	2	8	90	
RPD208LTZ00		32	410	0	16	2 → 1	4	8		
RPD209LTK00		40	700	0	16	2 → 1	5	8		
RPD210LTJ00		50	950	0	16	2 → 1	7	8		
BPD205STW00	flanges to BS 4504 EN1092 shape B	15	87	0	16	1 → 2 / 2 → 1	5.5 / 3.8	10	63	NC bidirectional
BPD206STX00		20	164	0	16	1 → 2 / 2 → 1	6 / 3.8	10		
BPD207STY00		25	260	0	16 / 11	1 → 2 / 2 → 1	6.5 / 3.8	10		
BPD208STZ00		32	410	0	16 / 6	1 → 2 / 2 → 1	6.8 / 3.8	10		
BPD209STK00		40	700	0	12 / 4	1 → 2 / 2 → 1	9 / 3.8	10		
BPD210STJ00		50	950	0	8 / 2.5	1 → 2 / 2 → 1	9 / 3.8	10		
BPD207LTY00		25	260	0	16 / 14	1 → 2 / 2 → 1	4 / 3.3	8	90	
BPD208LTZ00		32	410	0	16 / 12	1 → 2 / 2 → 1	5 / 3.3	8		
BPD209LTK00		40	700	0	16 / 8	1 → 2 / 2 → 1	6 / 3.3	8		
BPD210LTJ00		50	950	0	14 / 6	1 → 2 / 2 → 1	8 / 3.3	8		
PA205STW00	flanges to ANSI B16.5 class 150	15	87	0	20	1 → 2	3.7	10	63	NC
PA206STX00		20	164	0	20	1 → 2	4.4	10		
PA207STY00		25	260	0	20	1 → 2	5	10		
PA208STZ00		32	410	0	16	1 → 2	5.9	10		
PA209STK00		40	700	0	16	1 → 2	9	10		
PA210STJ00		50	950	0	11	1 → 2	8	10		
PA207LTY00		25	260	0	20	1 → 2	2	8	90	
PA208LTZ00		32	410	0	16	1 → 2	3.5	8		
PA209LTK00		40	700	0	16	1 → 2	4	8		
PA210LTJ00		50	950	0	15	1 → 2	6.5	8		
RPA205STW00	flanges to ANSI B16.5 class 150	15	87	0	16	2 → 1	2.5	10	63	NO
RPA206STX00		20	164	0	16	2 → 1	4.3	10		
RPA207STY00		25	260	0	16	2 → 1	5.5	10		
RPA208STZ00		32	410	0	16	2 → 1	6.5	10		
RPA209STK00		40	700	0	16	2 → 1	9	10		
RPA210STJ00		50	950	0	12	2 → 1	9.4	10		
RPA207LTY00		25	260	0	16	2 → 1	2	8	90	
RPA208LTZ00		32	410	0	16	2 → 1	4	8		
RPA209LTK00		40	700	0	16	2 → 1	5	8		
RPA210LTJ00		50	950	0	16	2 → 1	7	8		
BPA205STW00	flanges to ANSI B16.5 class 150	15	87	0	16	1 → 2 / 2 → 1	5.5 / 3.8	10	63	NC bidirectional
BPA206STX00		20	164	0	16	1 → 2 / 2 → 1	6 / 3.8	10		
BPA207STY00		25	260	0	16 / 11	1 → 2 / 2 → 1	6.5 / 3.8	10		
BPA208STZ00		32	410	0	16 / 6	1 → 2 / 2 → 1	6.8 / 3.8	10		
BPA209STK00		40	700	0	12 / 4	1 → 2 / 2 → 1	9 / 3.8	10		
BPA210STJ00		50	950	0	8 / 2.5	1 → 2 / 2 → 1	9 / 3.8	10		
BPA207LTY00		25	260	0	16 / 14	1 → 2 / 2 → 1	4 / 3.3	8	90	
BPA208LTZ00		32	410	0	16 / 12	1 → 2 / 2 → 1	5 / 3.3	8		
BPA209LTK00		40	700	0	16 / 8	1 → 2 / 2 → 1	6 / 3.3	8		
BPA210LTJ00		50	950	0	14 / 6	1 → 2 / 2 → 1	8 / 3.3	8		