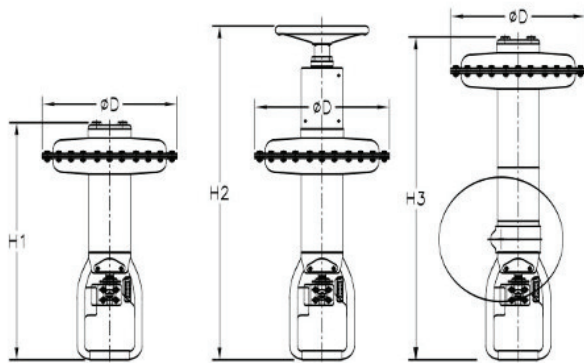


## Dimensions for Series A Single Spring of Diaphragm Actuators



Actuator		Ø D mm	No Handwheel H1 mm	TMH H2 mm	SMH H3 mm
Size	Travel (mm)				
038E	1.1/8" (28)	260	355	535	-
038	1.1/8" (28)	260	480	720	-
075	1.1/8" (28)	330	503	757	717
	1.1/2" (38)		585	920	875
150	1.1/8" (28)	457	660	977	879
	1.1/2" (38)		660	1078	940
	2.1/4" (57)		775	1220	1105
300	2.1/4" (57)	616	930	-	1245
	3.1/2" (89)		1016	-	1397
	4" (100)		1070	-	1470
300HP	2.1/4" (57)	616	1000	-	1360
	3.1/2" (89)		1064	-	1488
	4" (100)		1081	-	1527

### Single Spring Series A Actuator Numbering System :

First two characters - Actuator action

- A1. Direct Actuator without Valve Positioner
- A2. Reverse Actuator without Valve Positioner
- A3. Direct Actuator with Valve Positioner
- A4. Reverse Actuator with Valve Positioner

Last three digits - Effective Area of Actuator

038 E - 38 Sq. inch (Non Reversible)

038 CD - 38 Sq. Inch Compact Design

075 - 75 Sq. Inch

150 - 150 Sq. Inch

300 - 300 Sq. Inch

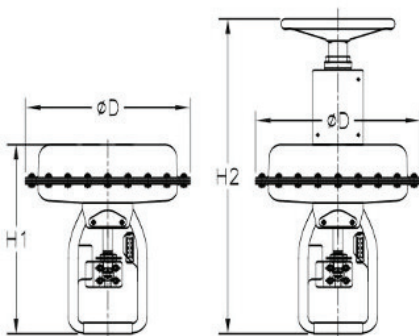
300 HP - Sq. Inch with heavy spring

Suffix H- Side Mounted Hand wheel

T- Top Mounted Handwheel

L- Limit stop

## Dimensions for Series M Multispring Actuators



Actuator		Ø D mm	No Handwheel H1 mm	TMH H2 mm
Size	Travel (mm)			
038	1 1/8" (28)	260	332	588
075	1 1/8" (28)	330	341	594
075	1 1/2" (38)	330	378	630
0150	1 1/2" (38)	457	438	-
0150	2.1/4" (57)	457	490	-

### Multi Spring Series M Actuator Numbering System :

First two characters - Actuator action

- M1. Direct Actuator without Valve Positioner
- M2. Reverse Actuator without Valve Positioner
- M3. Direct Actuator with Valve Positioner
- M4. Reverse Actuator with Valve Positioner

Last three digits - Effective Area of Actuator

038 - 38 Sq. Inch

075 - 75 Sq. Inch

150 - 150 Sq. Inch

Suffix T- Top Mounted Handwheel