

3/2 WAY DIRECT ACTING SOLENOID VALVE, G 1/8"

COMMON FEATURES

- Media: water, oil, air and aggressive fluids
- Media temperature: -10°C ÷ +130°C
- Ambient temperature: -10°C ÷ +50°C
- Body material: stainless steel (1.4305 EN 10088/AISI 303)
- Orifice material: stainless steel (1.4305 EN 10088/AISI 303)
- Operator material: stainless steel
- Seal material: foodgrade FKM
- Protection class: IP 65 (with connector and gasket)

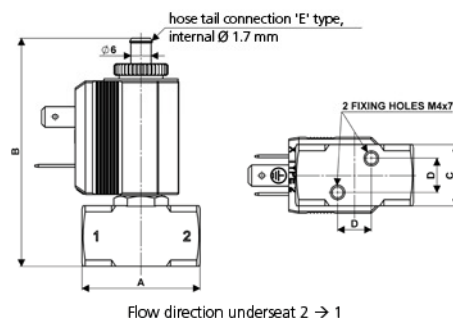
TYPE: B398



Normally Closed



DIMENSIONS & WEIGHTS		B398
G connection	[ISO 228]	1/8"
A	[mm]	35
B	[mm]	68
C	[mm]	18
D	[mm]	10
weight	[kg]	0.1

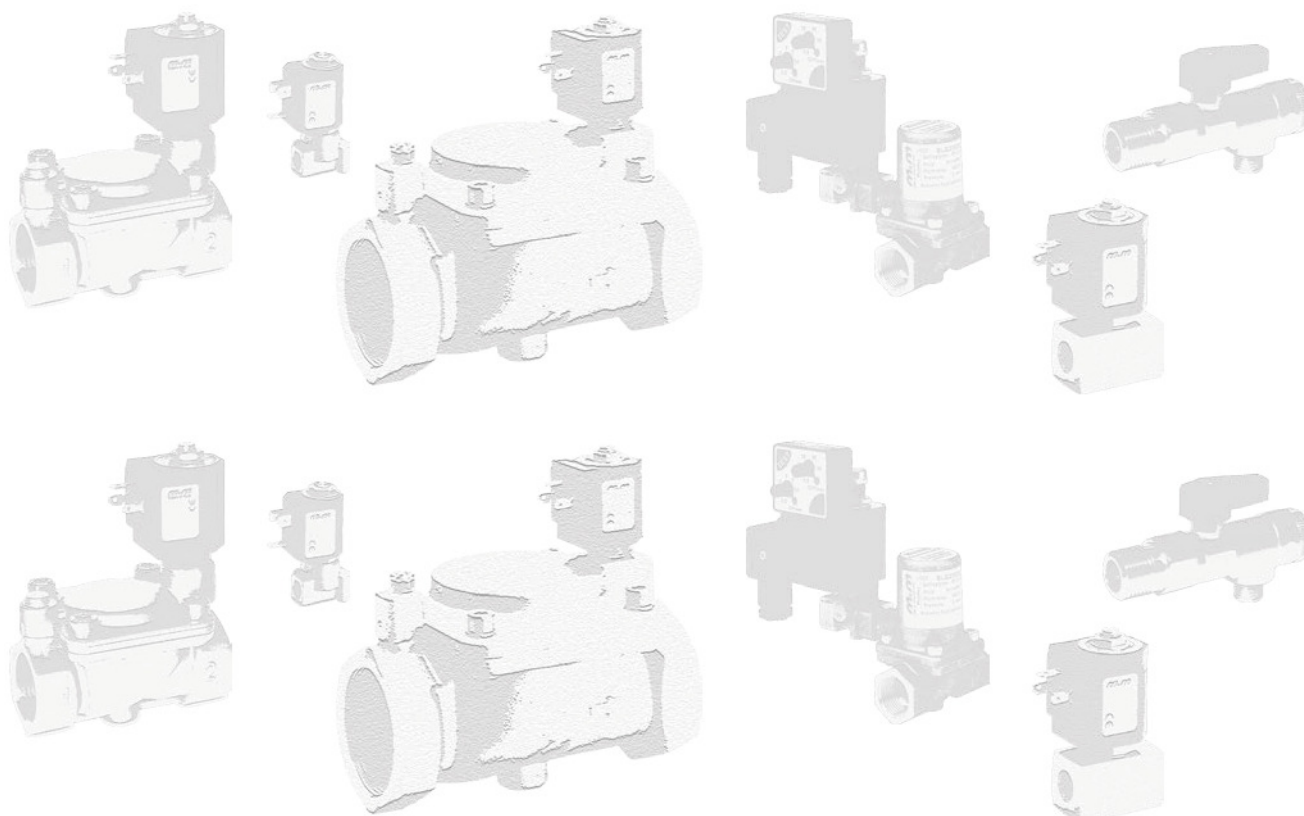


VALVE	nominal Ø	flow rate Kvs	OPD			COILS	
			min.	max. AC	max. DC	code	[Volts/Hz]
code	[mm]	[l/min]	[barg]	[barg]	[barg]	code	[Volts/Hz]
B398EVB	1.2	0.7	0	15	15	2250	24v DC
B398EVC	1.5	1.0	0	10	10	2200	24v 50/60Hz
B398EVE	2.0	1.9	0	5	5	2400	110v 50Hz - 120v 60Hz
B398EVG	2.5	2.7	0	3	3	2600	200v 50Hz - 220v 60Hz
						2700	230v 50Hz - 240v 60Hz

B398 - FKM seal, NC -

- Coil power: AC 10va (holding)
- AC 16va (inrush)
- DC 7w

GENERAL PURPOSE



3/2 WAY DIRECT ACTING SOLENOID VALVE, G 1/8" - G 1/4"

COMMON FEATURES

Body material: stainless steel (1.4305 EN 10088/AISI 303)
 Orifice material: stainless steel (1.4305 EN 10088/AISI 303)
 Operator material: stainless steel
 Protection class: IP 65 (with connector and gasket)

OPTIONS

Available with body thread connection 1/8" (e.g. code D398DVC), performance ratings remain the same as D399DVC.
 NPT connection on request, minimum batch may be required (e.g. code RD399CVGN)

TYPE: D398/399



Normally Closed

TYPE: RD398/399



Normally Open

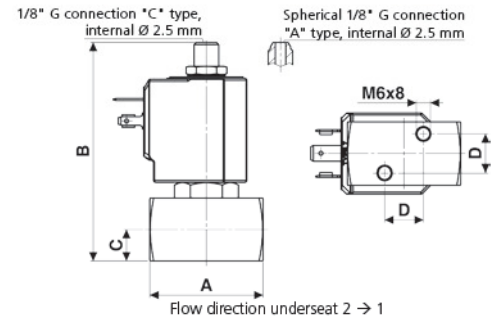


DIMENSIONS & WEIGHTS		D398	D399
G connection	[ISO 228]	1/8"	1/4"
A	[mm]	45	45
B	[mm]	87	87
C	[mm]	12.5	12.5
D	[mm]	15.4	15.4
weight	[kg]	0.35	0.35

VALVE	nominal Ø	flow rate Kvs	OPD			COILS	
			min.	max. AC	max. DC	code	[Volts/Hz]
code	[mm]	[l/min]	[barg]	[barg]	[barg]	code	[Volts/Hz]
D399CVC	1.5	1.3	0	18	18	7250	24v DC
D399CVE	2.0	2.2	0	10	10	7200	24v 50/60Hz
D399CVG	2.5	3.4	0	7	7	7400	110v 50Hz - 120v 60Hz
D399CVH	3.0	4.5	0	5	5	7600	200v 50Hz - 220v 60Hz
						7700	230v 50Hz - 240v 60Hz

VALVE	nominal Ø	flow rate Kvs	OPD			COILS class 'H' only	
			min.	max. AC	max. DC	code	[Volts/Hz]
code	[mm]	[l/min]	[barg]	[barg]	[barg]	code	[Volts/Hz]
D399CLC	1.5	1.3	0	9	9	7251	24v DC
D399CLE	2.0	2.2	0	9	9	7201	24v 50/60Hz
D399CLH	3.0	4.5	0	5	5	7401	110v 50Hz - 120v 60Hz
						7601	200v 50Hz - 220v 60Hz
						7701	230v 50Hz - 240v 60Hz

VALVE	nominal Ø	flow rate Kvs	OPD			COILS class 'H' only	
			min.	max. AC	max. DC	code	[Volts/Hz]
code	[mm]	[l/min]	[barg]	[barg]	[barg]	code	[Volts/Hz]
RD399CVC	1.5	1.3	0	15	15	7251	24v DC
RD399CVE	2.0	2.2	0	10	10	7201	24v 50/60Hz
RD399CVH	3.0	4.5	0	4	4	7401	110v 50Hz - 120v 60Hz
						7601	200v 50Hz - 220v 60Hz
						7701	230v 50Hz - 240v 60Hz



D398/399 - FKM seal, NC -

Media: water, oil, air and aggressive fluids
 Media temperature: -10°C ÷ +130°C
 Ambient temperature: -10°C ÷ +50°C
 Seal material: foodgrade FKM
 Coil power: AC 18va (holding)
 AC 36va (inrush)
 DC 14w

OPTIONS

Armature tube with spherical 1/8" G connection (e.g. code D398AVC)
 Silver shading ring (e.g. code D398CVGA)
 UL approved coils (e.g. code 770B)

D398/399 - Sigodur seal, NC -

Media: steam
 Media temperature: -10°C ÷ +180°C
 Ambient temperature: -10°C ÷ +70°C
 Seal material: Sigodur (filled PTFE)
 Coil power: AC 18va (holding)
 AC 36va (inrush)
 DC 14w

OPTIONS

Silver shading ring (e.g. code D398CLCA)

NOTES

Seamless tube as standard

RD398/399 - FKM seal, NO -

Media: water, oil, air and aggressive fluids
 Media temperature: -10°C ÷ +130°C
 Ambient temperature: -10°C ÷ +50°C
 Seal material: foodgrade FKM
 Coil power: AC 18va (holding)
 AC 36va (inrush)
 DC 14w

NOTES

Protective treatment of operators is recommended, minimum batch may be required.

3/2 WAY DIRECT ACTING SOLENOID VALVE, G 1/8"

COMMON FEATURES

Media: water, oil, air
 Media temperature: -10°C ÷ +130°C
 Ambient temperature: -10°C ÷ +50°C
 Body material: brass (CW719R EN 12165) low lead content
 Orifice material: stainless steel (1.4305 EN 10088/AISI 303)
 Operator material: stainless steel
 Seal material: foodgrade FKM
 Protection class: IP 65 (with connector and gasket)

OPTIONS

EPDM seal, temperature max. 120°C (e.g. code RB397C**E**C)
 Electroless nickel plating treatment (e.g. code B397CV**C**K)

NOTES

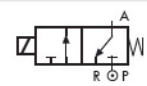
Valve suitable for contact with food media as per the EEC Directives and Regulations. For more specific information, please contact M&M Sales Department.

TYPE: SB397



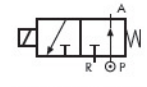
Normally Open

TYPE: B397



Normally Closed

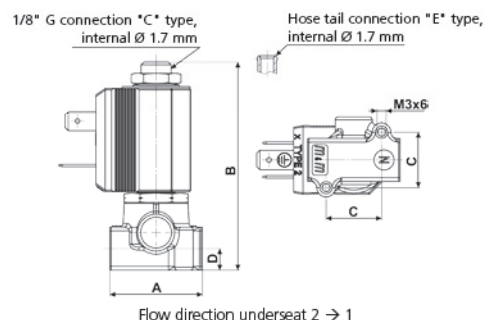
TYPE: RB397



Normally Open



DIMENSIONS & WEIGHTS		B397	RB397	SB397
G connection	[ISO 228]	1/8"	1/8"	1/8"
A	[mm]	30	30	30
B	[mm]	67.8	72.5	67.8
C	[mm]	18	18	18
D	[mm]	7	7	7
weight	[kg]	0.15	0.16	0.15



Flow direction underseat 2 → 1

GENERAL PURPOSE

VALVE	nominal Ø	flow rate Kvs	OPD			COILS	
			min.	max. AC	max. DC	code	[Volts/Hz]
code	[mm]	[l/min]	[barg]	[barg]	[barg]	code	[Volts/Hz]
B397CVA	1.0	0.5	0	18	18	2250	24v DC
B397CVB	1.2	0.7	0	15	15	2200	24v 50/60Hz
B397CVC	1.5	1.0	0	10	10	2400	110v 50Hz - 120v 60Hz
B397CVE	2.0	1.9	0	5	5	2600	200v 50Hz - 220v 60Hz
B397CVH	3.0	3.5	0	2	2	2700	230v 50Hz - 240v 60Hz

B397 - FKM seal, NC
 Coil power: AC 10va (holding)
 AC 16va (inrush)
 DC 7w

OPTIONS
 Manual override (e.g. code B397CV**B**M)
 Armature tube with hose tail Ø 6 mm (e.g. code B397**E**VE)
 UL approved coils (e.g. code 270**R**)

AUTOMATION

VALVE	nominal Ø		flow rate Kvs	OPD			COILS	
	1 → 2	1 → 3		min.	max. AC	max. DC	code	[Volts/Hz]
code	[mm]	[mm]	[l/min]	[barg]	[barg]	[barg]	code	[Volts/Hz]
SB397CVB	1.2	1.7	0.7	0	6	3	2250	24v DC
SB397CVC	1.5	1.7	1.0	0	4.5	2	2200	24v 50/60Hz
							2400	110v 50Hz - 120v 60Hz
							2600	200v 50Hz - 220v 60Hz
							2700	230v 50Hz - 240v 60Hz

SB397 - FKM seal, 2nd SERVICE -
 Coil power: AC 10va (holding)
 AC 16va (inrush)
 DC 7w

OPTIONS
 Manual override (e.g. code SB397CV**C**M).

NOTES
 Flow direction: OFF 3 → 1 - ON 1 → 2

AUTOMATION

VALVE	nominal Ø	flow rate Kvs	OPD			COILS	
			min.	max. AC	max. DC	code	[Volts/Hz]
code	[mm]	[l/min]	[barg]	[barg]	[barg]	code	[Volts/Hz]
RB397CVA	1.0	0.5	0	15	12	2250	24v DC
RB397CVB	1.2	0.7	0	15	12	2200	24v 50/60Hz
RB397CVC	1.5	1.0	0	10	8	2400	110v 50Hz - 120v 60Hz
RB397CVE	2.0	1.9	0	8	6	2600	200v 50Hz - 220v 60Hz
RB397CVG	2.5	2.5	0	4	4	2700	230v 50Hz - 240v 60Hz
RB397CVH	3.0	3.5	0	3.5	3.5		

RB397 - FKM seal, NO
 Coil power: AC 10va (holding)
 AC 16va (inrush)
 DC 7w

3/2 WAY DIRECT ACTING SOLENOID VALVE, G 1/8" - G 1/4"

COMMON FEATURES

Media: water, oil, air
 Media temperature: -10°C + +130°C
 Ambient temperature: -10°C + +50°C
 Body material: brass (CW617N EN 12165)
 Orifice material: stainless steel (1.4305 EN 10088/AISI 303)
 Operator material: stainless steel
 Seal material: foodgrade FKM
 Protection class: IP 65 (with connector and gasket)

OPTIONS

Available with body thread connection 1/8" (e.g. code D362CVA), performance ratings remain the same as D363CVA.
 NPT connection on request, minimum batch may be required (e.g. code RD363CVCN)

TYPE: D362/363



Normally Closed

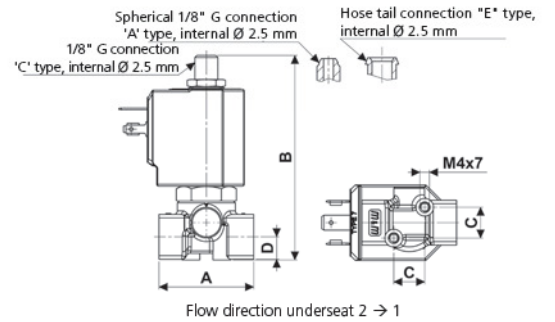
TYPE: RD362/363



Normally Open



DIMENSIONS & WEIGHTS		D362	D363	RD362	RD363
G connection	[ISO 228]	1/8"	1/4"	1/8"	1/4"
A	[mm]	40	40	40	40
B	[mm]	87	87	87	87
C	[mm]	13	13	13	13
D	[mm]	9.5	9.5	9.5	9.5
weight	[kg]	0.26	0.26	0.26	0.26



VALVE	nominal Ø	flow rate Kvs	OPD		
			min.	max. AC	max. DC
code	[mm]	[l/min]	[barg]	[barg]	[barg]
D363CVC	1.5	1.3	0	18	18
D363CVE	2.0	2.2	0	10	10
D363CVG	2.5	3.4	0	7	7
D363CVH	3.0	4.5	0	5	5
D363CVL ^①	4.0	6.0	0	3.5	3.5
D363CVN ^①	5.0	7.5	0	2.5	2.5
D363CVP ^①	6.0	8.0	0	1.5	1.5

① Manual override not available for orifice > Ø 3 mm

COILS	
code	[Volts/Hz]
7250	24v DC
7200	24v 50/60Hz
7400	110v 50Hz - 120v 60Hz
7600	200v 50Hz - 220v 60Hz
7700	230v 50Hz - 240v 60Hz

D362/363 - FKM seal, NC -

Coil power: AC 18va (holding)
 AC 36va (inrush)
 DC 14w

OPTIONS

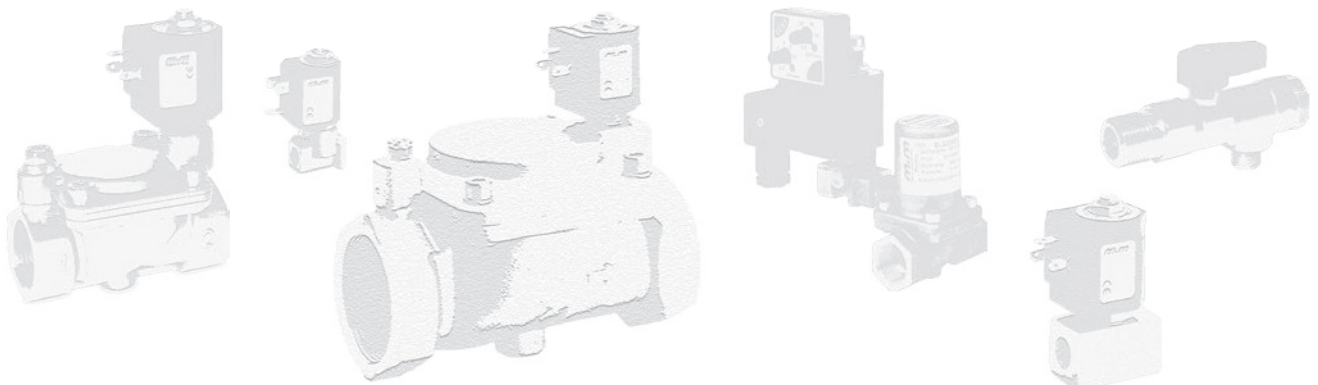
EPDM seal, temperature max. 120°C (e.g. code D363CEC)
 Manual override (e.g. code D362CVGM)
 Armature tube with hose tail connection (e.g. code D362EVG)
 Armature tube with spherical 1/8" G connection (e.g. code D362AVC)
 ATEX version see page 37
 For vacuum see page 36
 UL approved coils (e.g. code 770R)

VALVE	nominal Ø	flow rate Kvs	OPD		
			min.	max. AC	max. DC
code	[mm]	[l/min]	[barg]	[barg]	[barg]
RD363CVC	1.5	1.3	0	16	13
RD363CVE	2.0	2.2	0	10	10
RD363CVG	2.5	3.4	0	7	7
RD363CVH	3.0	4.5	0	4	4

COILS class 'H' only	
code	[Volts/Hz]
7251	24v DC
7201	24v 50/60Hz
7401	110v 50Hz - 120v 60Hz
7601	200v 50Hz - 220v 60Hz
7701	230v 50Hz - 240v 60Hz

RD362/363 - FKM seal, NO -

Coil power: AC 18va (holding)
 AC 36va (inrush)
 DC 14w



GENERAL PURPOSE

GENERAL PURPOSE

3/2 WAY DIRECT ACTING SOLENOID VALVE, G 1/8" - G 1/4"

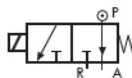
COMMON FEATURES

Media: water, oil, air
 Media temperature: -10°C + +130°C
 Ambient temperature: -10°C + +50°C
 Body material: brass (CW617N EN 12165)
 Orifice material: stainless steel (1.4305 EN 10088/AISI 303)
 Operator material: stainless steel
 Seal material: foodgrade FKM
 Protection class: IP 65 (with connector and gasket)

OPTIONS

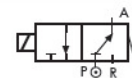
Available with body thread connection 1/8" (e.g. code SD362CVC), performance ratings remain the same as SD363CVC.
 Armature tube with spherical 1/8" G connection (e.g. code SD362AVC)

TYPE: DD362/363



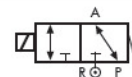
Normally Open - Diverting

TYPE: SD362/363



Normally Open - 2nd Service

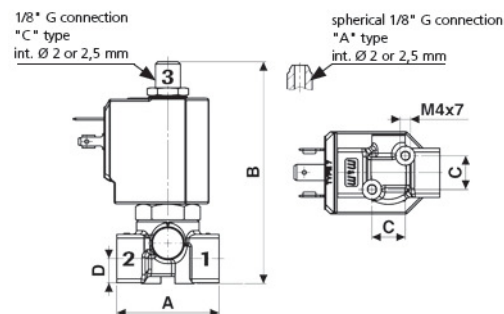
TYPE: GD362/363



Universal Service



DIMENSIONS & WEIGHTS		SD362	SD363	DD362	DD363	GD362	GD363
G connection	[ISO 228]	1/8"	1/4"	1/8"	1/4"	1/8"	1/4"
A	[mm]	40	40	40	40	40	40
B	[mm]	87	87	87	87	87	87
C	[mm]	13	13	13	13	13	13
D	[mm]	9.5	9.5	9.5	9.5	9.5	9.5
weight	[kg]	0.26	0.26	0.26	0.26	0.26	0.26



VALVE	nominal Ø		flow rate Kvs	OPD			COILS	
	1 → 2	1 → 3		min.	max. AC	max. DC	code	[Volts/Hz]
code	[mm]	[mm]	[l/min]	[barg]	[barg]	[barg]	code	[Volts/Hz]
SD363CVC	1.5	1.5	1.3	0	15	15	7250	24v DC
SD363CVE	2.0	2.0	2.2	0	15	15	7200	24v 50/60Hz
SD363CVG	2.5	2.5	3.4	0	13	13	7400	110v 50Hz - 120v 60Hz
							7600	200v 50Hz - 220v 60Hz
							7700	230v 50Hz - 240v 60Hz

SD362/363 - FKM seal, 2nd SERVICE -

Coil power: AC 18va (holding)
 AC 36va (inrush)
 DC 14w

NOTES

Flow direction: OFF 3 → 1 - ON 1 → 2

VALVE	nominal Ø		flow rate Kvs	OPD			COILS	
	1 → 2	1 → 3		min.	max. AC	max. DC	code	[Volts/Hz]
code	[mm]	[mm]	[l/min]	[barg]	[barg]	[barg]	code	[Volts/Hz]
DD363CVC	1.5	2.5	1.3	0	20	20	7250	24v DC
DD363CVE	2.0	2.5	2.2	0	20	20	7200	24v 50/60Hz
							7400	110v 50Hz - 120v 60Hz
							7600	200v 50Hz - 220v 60Hz
							7700	230v 50Hz - 240v 60Hz

DD362/363 - FKM seal, DIVERTING -

Coil power: AC 18va (holding)
 AC 36va (inrush)
 DC 14w

NOTES

Flow direction: OFF 1 → 3 - ON 1 → 2

VALVE	nominal Ø		flow rate Kvs	OPD			COILS	
	1 → 2	1 → 3		min.	max. AC	max. DC	code	[Volts/Hz]
code	[mm]	[mm]	[l/min]	[barg]	[barg]	[barg]	code	[Volts/Hz]
GD363CVE	2.0	2.0	2.2	0	8	7	7250	24v DC
							7200	24v 50/60Hz
							7400	110v 50Hz - 120v 60Hz
							7600	200v 50Hz - 220v 60Hz
							7700	230v 50Hz - 240v 60Hz

GD362/363 - FKM seal, UNIVERSAL SERVICE -

Coil power: AC 18va (holding)
 AC 36va (inrush)
 DC 14w

NOTES

Pressure can be connected to all ports:

- from 2 like D362,
- from 1 like DD362,
- from 3 like SD362.

3/2 WAY DIRECT ACTING SOLENOID VALVE, FLANGE 32x32

COMMON FEATURES

Media: water, oil, air
 Media temperature: $-10^{\circ}\text{C} \div +130^{\circ}\text{C}$
 Ambient temperature: $-10^{\circ}\text{C} \div +50^{\circ}\text{C}$
 Body material: brass (CW617N EN 12165)
 Orifice material: stainless steel (1.4305 EN 10088/AISI 303)
 Operator material: stainless steel
 Seal material: foodgrade FKM
 Protection class: IP 65 (with connector and gasket)

TYPE: D301



Normally Closed

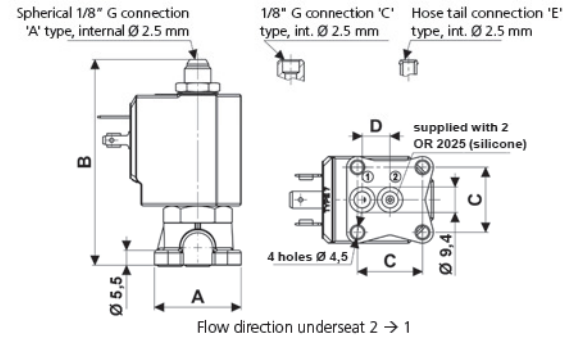
TYPE: RD301



Normally Open



DIMENSIONS & WEIGHTS		D301	RD301
G connection	[ISO 228]	/	/
A	[mm]	∅ 32	∅ 32
B	[mm]	77	77.7
C	[mm]	24	24
D	[mm]	10.25	10.25
weight	[kg]	0.25	0.26



VALVE	nominal ∅	flow rate Kvs	OPD			COILS	
			min.	max. AC	max. DC	code	[Volts/Hz]
code	[mm]	[l/min]	[barg]	[barg]	[barg]	code	[Volts/Hz]
<u>D</u> 301CVC	1.5	1.3	0	18	18	7250	24v DC
<u>D</u> 301CVE	2.0	2.2	0	10	10	7200	24v 50/60Hz
<u>D</u> 301CVG	2.5	3.4	0	7	7	7400	110v 50Hz - 120v 60Hz
<u>D</u> 301CVH	3.0	4.5	0	5	5	7600	200v 50Hz - 220v 60Hz
						7700	230v 50Hz - 240v 60Hz

D301 - FKM seal, NC -

Coil power: AC 18va (holding)
 AC 36va (inrush)
 DC 14w

OPTIONS

Armature tube with spherical 1/8" G connection (e.g. code D301AVE)
 Armature tube with hose tail connection (e.g. code D301EVC)
 Ruby seal for increased chemical resistance (e.g. code D301ARC)

VALVE	nominal ∅	flow rate Kvs	OPD			COILS	
			min.	max. AC	max. DC	code	[Volts/Hz]
code	[mm]	[l/min]	[barg]	[barg]	[barg]	code	[Volts/Hz]
<u>R</u> D301CVC	1.5	1.3	0	15	15	7251	24v DC
<u>R</u> D301CVE	2.0	2.2	0	10	10	7201	24v 50/60Hz
<u>R</u> D301CVH	3.0	4.5	0	4	4	7401	110v 50Hz - 120v 60Hz
						7601	200v 50Hz - 220v 60Hz
						7701	230v 50Hz - 240v 60Hz

RD301 - FKM seal, NO -

Coil power: AC 18va (holding)
 AC 36va (inrush)
 DC 14w

