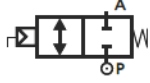


2/2 Way Compact Piston Actuated Valve G 3/8" to 1/2" – Brass

Specifications	
Type: BLG NC Bi-directional flow over/under seat 1 → 2 / 2 → 1	
Media	Water, air, inert fluids, inert gases
Media Temperature	-10 °C to +90 °C
Ambient Temperature	-10 °C to +80 °C
Pilot Media	Filtered air
Actuator Body Material	Brass (CW617N EN12165)
Body Material	Brass (CW617N EN12165)
Piston Material	Aluminium
Stem Material	AISI 316I
Seal Material	NBR
Frequency	6 Cycles per minute

Piston valve with external pneumatic actuation, compact and solid construction.

Suitable for neutral media with particles in suspension, on applications where a standard pilot operated solenoid valve may become clogged.

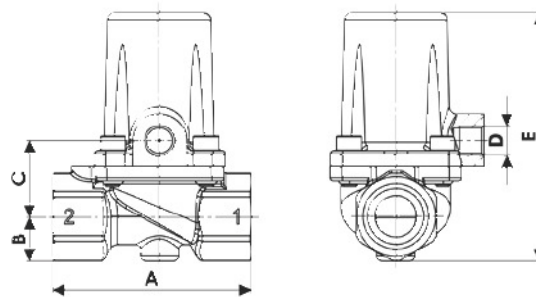


Features and Benefits

- Waterhammer-free design (with flow direction 2→1)
- Swift installation with banjo bolt pilot solenoid valve B356CVCMK (see page 32)
- Design suitable for vacuum applications up to 10⁻² mbar

Options Available
NPT Connection, minimum batch may be required (e.g code BLN205DBW00)
Electroless nickel plating treatment (e.g. code BLG205DBW0K)

Dimensions & Weights		DN13.5	DN13.5
G connection	[ISO 228]	3/8"	1/2"
A	[mm]	67	67
B	[mm]	15	15
C	[mm]	25.5	25.5
D	[mm]	1/8"	1/8"
E	[mm]	84	84
Weight	[kg]	0.55	0.52



Valve	Body Connection	DN	Flow Rate Kvs	Working Pressure		Flow Direction	Pilot Pressure		Actuator Ø	Function
				Min.	Max.		Min.	Max.		
Code	[ISO 228G]	[mm]	[l/min]	[barg]	[barg]	—	[barg]	[barg]	[mm]	—
BLG204DBW00 ¹	3/8"	13.5	56 / 45	0	10	1 → 2 / 2 → 1	4.5	10	32	NC bidirectional
BLG205DBW00	1/2"	13.5	70 / 55	0	10	1 → 2 / 2 → 1	4.5	10		

Note

1. Minimum batch may be required

2/2 Way Piston Actuated Valve G 1/2" to 1" to Compact Version – Bronze

Specifications	
Type: CG NC flow over seat 1 → 2	
Type: RCG NO flow under seat 2 → 1	
Type: BCG NC Bi-directional flow over/under seat 1 → 2 / 2 → 1	
Type: DCG DA flow over/under seat 1 ↔ 2	
Media	Water, oil, air, steam ¹
Media Temperature	-10 °C to +180 °C
Ambient Temperature	-10 °C to +60 °C
Pilot Media ²	Instrument air, inert gases
Actuator Body Material	Polyamide PA6 (reinforced fibreglass 30%)
Body Material	Bronze (CB491K EN1982)
Bonnet Material	Brass (CW617N EN12165)
Seal Material	PTFE
Position Indicator	As standard

Features and Benefits

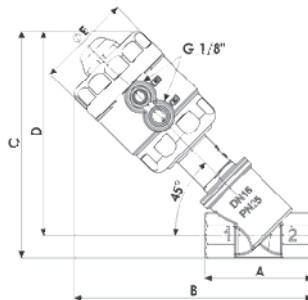
- Waterhammer-free design for BCG - DCG (with flow direction 2→1)
- Actuator housing rotation 360°
- Design suitable for vacuum applications up to 10⁻² mbar



Options Available
NPT Connection (e.g code C _N 205CTW00)

Accessories
Position module, travel switch kit, pilot solenoid valves see pages 30/31/32

Dimensions & Weights		DN15	DN20	DN25
Actuator	[mm]	Ø 45		
A	[mm]	65	75	90
B	[mm]	144	149	168
C	[mm]	136	142	161
D	[mm]	123	126	141
E	[mm]	57	57	57
Weight	[kg]	0.8	0.9	1.1



The products listed below comply with the requirements of the European Pressure Equipment Directive 97/23/EC and carry the CE mark when required. The products fall within the following Pressure Equipment Directive categories:

Bodies	Group 1 gases	Group 1 liquids and Group 2 other fluids
DN15 to DN25 (PN25)	SEP	SEP

⚠ WARNING!
According to the European Pressure Equipment Directive 97/23/EC, liquids whose saturated vapour pressure at the maximum allowable temperature is more than 0,5 barg shall be considered as gases.

Valve	Body Connection	DN	Flow Rate Kvs	Working Pressure ¹		Flow Direction	Pilot Pressure ³		Actuator Ø	Function
				Min.	Max.		Min.	Max.		
Code	[ISO 228G]	[mm]	[l/min]	[barg]	[barg]	—	[barg]	[barg]	[mm]	—
CG205CTW00	1/2"	15	75	0	16	1 → 2	3.8	10	45	NC
CG206CTX00	3/4"	20	133	0	16	1 → 2	5.8	10		
CG207CTY00	1"	25	208	0	16	1 → 2	6.5	10		
RCG205CTW00	1/2"	15	75	0	16	2 → 1	4	10	45	NO
RCG206CTX00	3/4"	20	133	0	16	2 → 1	6.2	10		
RCG207CTY00	1"	25	208	0	16	2 → 1	8.8	10		
BCG205CTW00	1/2"	15	75	0	16 / 16	1 → 2 / 2 → 1	6.2 / 5	10	45	NC bidirectional
BCG206CTX00	3/4"	20	133	0	16 / 7	1 → 2 / 2 → 1	8.7 / 5	10		
BCG207CTY00	1"	25	208	0	16 / 5	1 → 2 / 2 → 1	9.5 / 5	10		
DCG205CTW00	1/2"	15	75	0	16 / 16	1 ↔ 2	3	10	45	DA
DCG206CTX00	3/4"	20	133	0	16 / 16	1 ↔ 2	5	10		
DCG207CTY00	1"	25	208	0	16 / 16	1 ↔ 2	8.5	10		

Notes

1. Steam max. working pressure 10 bar (9 barg)
2. Please contact M&M sales Department for other pilot media
3. Minimum pilot pressure at the max. working pressure: for lower working pressures please refer to the comparative charts

2/2 Way Piston Actuated Valve G 1/2" to 2", Regular Version – Bronze

Specifications	
Type: CG NC flow over seat 1 → 2	
Type: RCG NO Flow Under Seat 2 → 1	
Type: BCG NC Bi-Directional Flow Over/Under Seat 1 → 2 / 2 → 1	
Type: DCG DA Flow Over/Under Seat 1 ↔ 2	
Media	Water, oil, air, steam ¹
Media Temperature	-10 °C to +180 °C
Ambient Temperature	-10 °C to +60 °C
Pilot Media ²	Instrument air, inert gases
Actuator Body Material	Polyamide PA6 (reinforced fibreglass 30%)
Body Material	Bronze (CB491K EN1982)
Bonnet Material	Brass (CW617N EN12165)
Seal Material	PTFE
Position Indicator	As standard

Features and Benefits

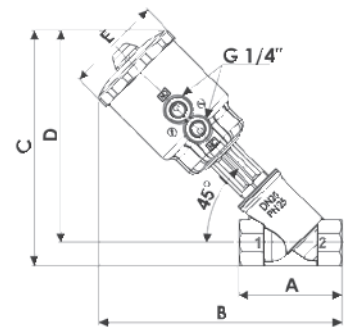
- Waterhammer-free design for BCG - DCG (with flow direction 2→1)
- Actuator housing rotation 360°



Options Available
Stroke regulator assembled ex-factory, see page 29 (e.g. code CG2055TWB0)
Travel switch assembled ex-factory, see page 29 (e.g. code RCG209STKJ0)
NPT connection (e.g. code BCN207LTY00)
Design for vacuum applications up to 10 ⁻² mbar (e.g. code DCG210STJ0Y)

Accessories
Position module, travel switch kit, pilot solenoid valves see pages 30/31/32

Dimensions & Weights		DN15	DN20	DN25	DN32	DN40	DN50	DN25	DN32	DN40	DN50
Actuator	[mm]	Ø 63						Ø 90			
A	[mm]	65	75	90	110	120	150	90	110	120	150
B	[mm]	192	198	212	225	230	248	223	234	239	257
C	[mm]	184	192	205	217	225	241	216	227	235	250
D	[mm]	171	176	185	193	198	207	196	202	207	216
E	[mm]	85	85	85	85	85	85	112	112	112	112
Weight	[kg]	1.2	1.3	1.5	1.9	2.1	2.9	2.0	2.4	2.6	3.3



The products listed below comply with the requirements of the European Pressure Equipment Directive 97/23/EC and carry the CE mark when required. The products fall within the following Pressure Equipment Directive categories:

Valve Type	Bodies	Group 1 gases	Group 1 liquids and Group 2 other fluids
CG - RCG - BCG - DCG	DN15 to DN25 (PN25)	SEP	SEP
	DN32 to DN40 (PN25)	Not suitable	SEP
	DN50 (PN16)	Not suitable	SEP

⚠ WARNING!

According to the European Pressure Equipment Directive 97/23/EC, liquids whose saturated vapour pressure at the maximum allowable temperature is more than 0,5 barg shall be considered as gases.

2/2 Way Piston Actuated Valve G 1/2" to 2", Regular Version – Bronze

Valve	Body Connection	DN	Flow Rate Kvs	Working Pressure ¹		Flow Direction	Pilot Pressure ³		Actuator Ø	Function
Code	[ISO 228G]	[mm]	[l/min]	[barg]	[barg]	—	[barg]	[barg]	[mm]	—
CG205STW00	1/2"	15	87	0	20	1 → 2	3.7	10	63	NC
CG206STX00	3/4"	20	164	0	20	1 → 2	4.4	10		
CG207STY00	1"	25	260	0	20	1 → 2	5	10		
CG208STZ00	1 1/4"	32	410	0	16	1 → 2	5.9	10		
CG209STK00	1 1/2"	40	700	0	16	1 → 2	9	10		
CG210STJ00	2"	50	950	0	11	1 → 2	8	10		
CG207LTY00	1"	25	260	0	20	1 → 2	2	8	90	
CG208LTZ00	1 1/4"	32	410	0	16	1 → 2	3.5	8		
CG209LTK00	1 1/2"	40	700	0	16	1 → 2	4	8		
CG210LTJ00	2"	50	950	0	15	1 → 2	6.5	8		
RCG205STW00	1/2"	15	87	0	16	2 → 1	2.5	10	63	NO
RCG206STX00	3/4"	20	164	0	16	2 → 1	4.3	10		
RCG207STY00	1"	25	260	0	16	2 → 1	5.5	10		
RCG208STZ00	1 1/4"	32	410	0	16	2 → 1	6.5	10		
RCG209STK00	1 1/2"	40	700	0	16	2 → 1	9	10		
RCG210STJ00	2"	50	950	0	12	2 → 1	9.4	10		
RCG207LTY00	1"	25	260	0	16	2 → 1	2	8	90	
RCG208LTZ00	1 1/4"	32	410	0	16	2 → 1	4	8		
RCG209LTK00	1 1/2"	40	700	0	16	2 → 1	5	8		
RCG210LTJ00	2"	50	950	0	16	2 → 1	7	8		
BCG205STW00	1/2"	15	87	0	16	1 → 2 / 2 → 1	5.5 / 3.8	10	63	NC bidirectional
BCG206STX00	3/4"	20	164	0	16	1 → 2 / 2 → 1	6 / 3.8	10		
BCG207STY00	1"	25	260	0	16 / 11	1 → 2 / 2 → 1	6.5 / 3.8	10		
BCG208STZ00	1 1/4"	32	410	0	16 / 6	1 → 2 / 2 → 1	6.8 / 3.8	10		
BCG209STK00	1 1/2"	40	700	0	12 / 4	1 → 2 / 2 → 1	9 / 3.8	10		
BCG210STJ00	2"	50	950	0	8 / 2.5	1 → 2 / 2 → 1	9 / 3.8	10		
BCG207LTY00	1"	25	260	0	16 / 14	1 → 2 / 2 → 1	4 / 3.3	8	90	
BCG208LTZ00	1 1/4"	32	410	0	16 / 12	1 → 2 / 2 → 1	5 / 3.3	8		
BCG209LTK00	1 1/2"	40	700	0	16 / 8	1 → 2 / 2 → 1	6 / 3.3	8		
BCG210LTJ00	2"	50	950	0	14 / 6	1 → 2 / 2 → 1	8 / 3.3	8		
DCG205STW00	1/2"	15	87	0	16	1 ↔ 2	1.8	2	63	DA
DCG206STX00	3/4"	20	164	0	16	1 ↔ 2	2	3.8		
DCG207STY00	1"	25	260	0	16	1 ↔ 2	3	5		
DCG208STZ00	1 1/4"	32	410	0	16	1 ↔ 2	4.5	6		
DCG209STK00	1 1/2"	40	700	0	16	1 ↔ 2	6.5	7		
DCG210STJ00	2"	50	950	0	12	1 ↔ 2	9	10		

Notes

1. Steam max. working pressure 10 bar (9 barg)
2. Please contact M&M sales Department for other pilot media
3. Minimum pilot pressure at the max. working pressure: for lower working pressures please refer to the comparative charts

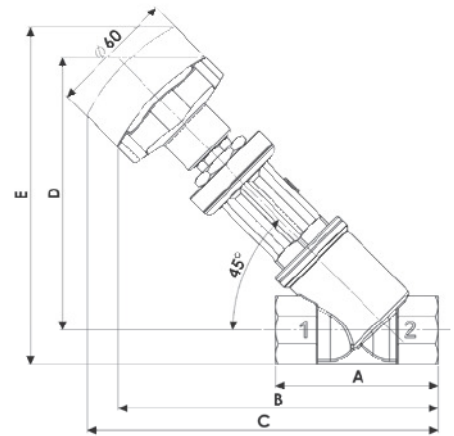
Manual Angle Seat Valve G 1/2" to 2" – Bronze (CG) & Stainless Steel (PG)

Specifications	
Function Flow over / under seat	Type CG / PG
Media	Water, oil, air, aggressive media, steam ¹
Media Temperature	-10 °C to +180 °C
Ambient Temperature	-10 °C to +60 °C
Body Material (CG)	Bronze (CB491K EN1982)
Bonnet Material (CG)	Brass (CW617N EN12165)
Body Material (PG)	Cast AISI 316L (CF3M), see page 39
Bonnet Material (PG)	Cast AISI 316L (CF3M), see page 39
Seal Material	PTFE



Options Available
NPT connection (e.g. code PN2070TY00)

Dimensions & Weights		DN15	DN20	DN25	DN32	DN40	DN50
G connection	[ISO 228]	1/2"	3/4"	1"	1 1/4"	1 1/2"	2"
A	[mm]	65	75	90	110	120	150
B	[mm]	142	148	163	175	180	198
C	[mm]	150	155	172	188	193	212
D	[mm]	121	126	135	143	148	157
E	[mm]	141	150	165	181	189	205
Weight	[kg]	0.75	0.80	1.20	1.80	2.10	3.10



Valve	Body Connection	DN	Flow Rate Kvs	Working Pressure ¹		Flow Direction
				Min.	Max.	
Code	[ISO 228G]	[mm]	[l/min]	[barg]	[barg]	—
CG2050TW00	1/2"	15	87	0	25	1 ↔ 2
CG2060TX00	3/4"	20	164	0	25	1 ↔ 2
CG2070TY00	1"	25	260	0	25	1 ↔ 2
CG2080TZ00	1 1/4"	32	410	0	25	1 ↔ 2
CG2090TK00	1 1/2"	40	700	0	25	1 ↔ 2
CG2100TJ00	2"	50	916	0	16	1 ↔ 2
PG2050TW00	1/2"	15	87	0	40	1 ↔ 2
PG2060TX00	3/4"	20	164	0	40	1 ↔ 2
PG2070TY00	1"	25	260	0	40	1 ↔ 2
PG2080TZ00	1 1/4"	32	410	0	25	1 ↔ 2
PG2090TK00	1 1/2"	40	700	0	25	1 ↔ 2
PG2100TJ00	2"	50	916	0	16	1 ↔ 2

Note

1. Steam max. working pressure 10 bar (9 barg)